

Polarization Maintaining Collimator

Features

High Extinction Ratio
 Low Insertion loss
 High Return Loss
 Good Uniformity
 Compact Size

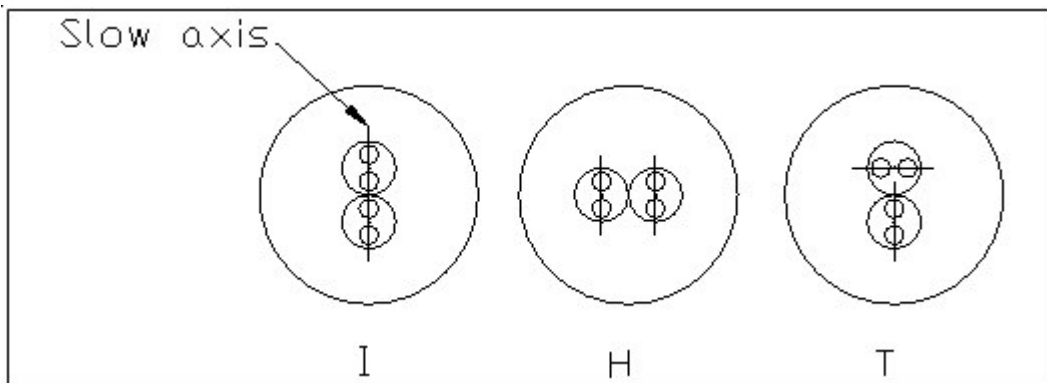
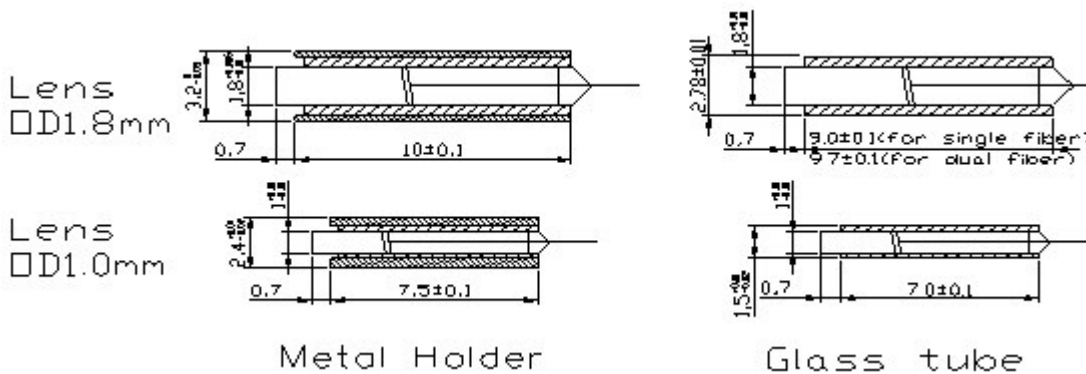
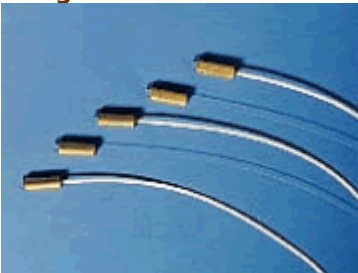
Applications

PMD Compensation
 Polarization Beam Combiner
 PM Isolator

Specifications

Parameter	Value
Central wavelength	1310nm, 155nm, and other
Bandwidth	+/-30nm
Working distance	5 or Specify
Extinction Ratio	Typ.25dB, Min22dB
Typical insertion loss @ 5mm	Single Fiber Collimator Typ.0.20dB, Max0.25dB
Return loss	>60dB
Fiber Type	Panda PM Fiber or Specify
Tensile Load	<5N
Operating Temperature	-5 to +70 °C
Storage Temperature	-40 to +85 °C

Imagine



Ordering Information

PMCL	Type	Wave-length	Lens	Package	Working	Pigtail	Fiber	Lens	Connector
------	------	-------------	------	---------	---------	---------	-------	------	-----------

			diameter	type	Distance	style	length		
S=single fiber D=dual fiber (for 1.8mm only)	00=No AR Coating 13=1310nm 15=1550nm XX=others	1=1.8mm 2=1.0mm (for single fiber only) S - specify	1=Metal Holder 2=Glass Tube	05=5mm 10=10mm 20=20mm X= Others	B=250um panda fiber D=400um panda fiber L=900um loose tube panda fiber S - Specify	10=1.0m 15=1.5m 18=1.8m 20=2.0m 28=2.8m 30=3.0m	G=G Lens C=C Lens	NE=None FA=FC/APC FC=FC/PC SA=SC/APC SC=SC/PC	